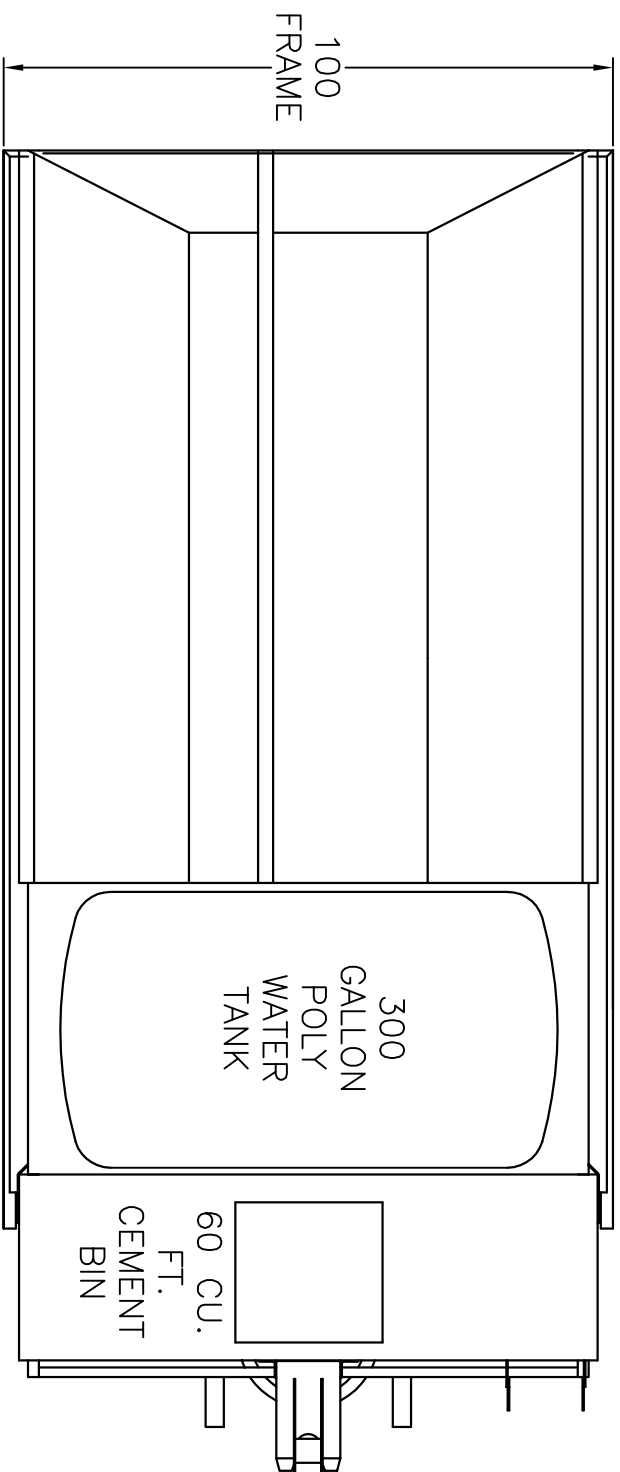


STONE BIN VOLUME
110 CU. FT.
51%

TOTAL BIN VOLUME
217 CU. FT.

SAND BIN VOLUME
107 CU. FT.
49%



12
MIXER TO CAB

120

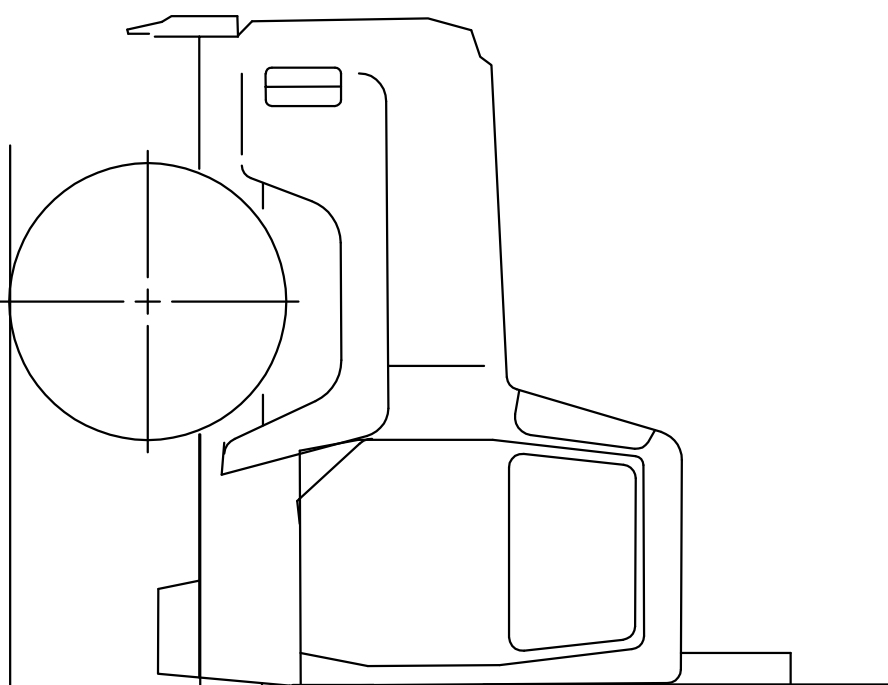
10 MIN.
MIXER TO EXHAUST

47½

30

53

MANUAL CHUTES = 9½
S.P. SWIVEL CHUTES = 10
S.P. POWER CHUTES = 14



58½

41
NORMAL
CHASSIS

124½

60 C.F.

142

143 MIN.

END OF FRAME

52

TOP OF
CHASSIS FRAME

VMMB VOLUME
204 CU. FT.

TOLERANCES
UNLESS
NOTED
FINISH
± .001"
FRACTIONAL
± 1/32"
DECIMAL
± .1"

ZIMMERMAN INDUSTRIES INC. EPHRATA, PA. — 717-733-6166	
400N1 SERIES LAYOUT	
6 YARD CONFIGURATION	
DRAWN BY: TMM CHECKED BY:	SCALE: N/A DATE: 30 APR 30 DRAWING NO.: 406N1

This information contained in this drawing is the sole property of Zimmerman Industries. Any production in part or whole without written permission of Zimmerman Industries is prohibited.