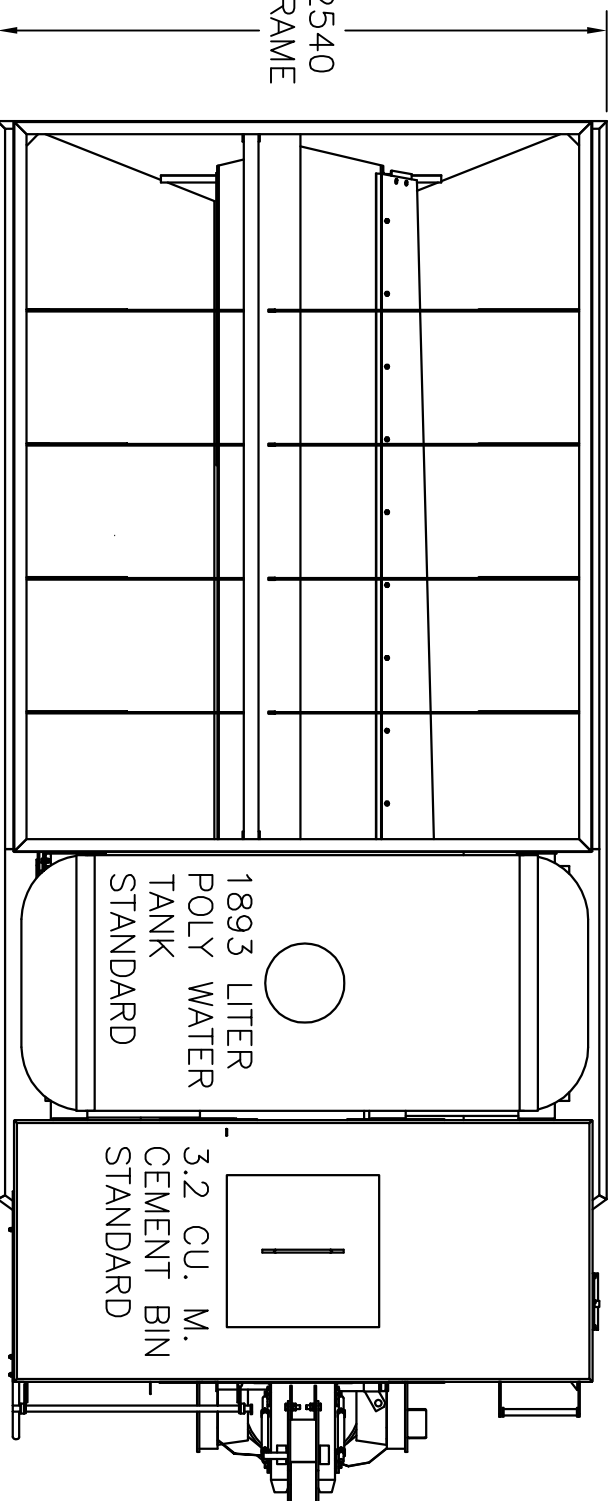


STONE BIN VOLUME  
6.0 CU. M.  
55%

TOTAL BIN VOLUME  
11.0 CU. M.

SAND BIN VOLUME  
5.0 CU. M.  
45%

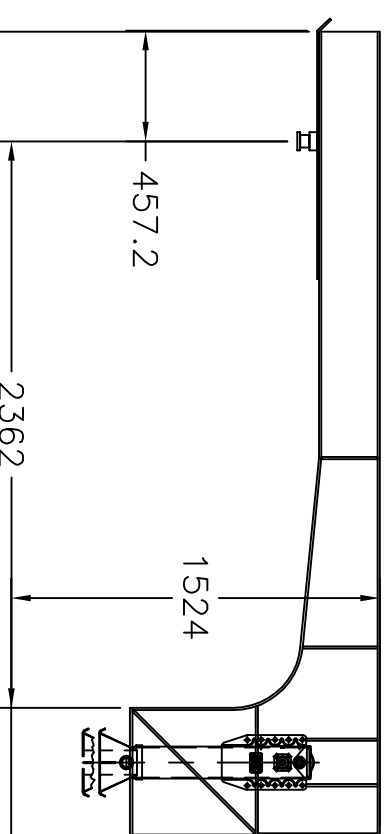
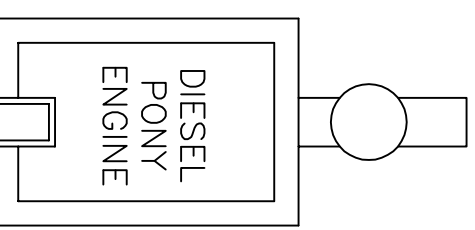
2540  
FRAME



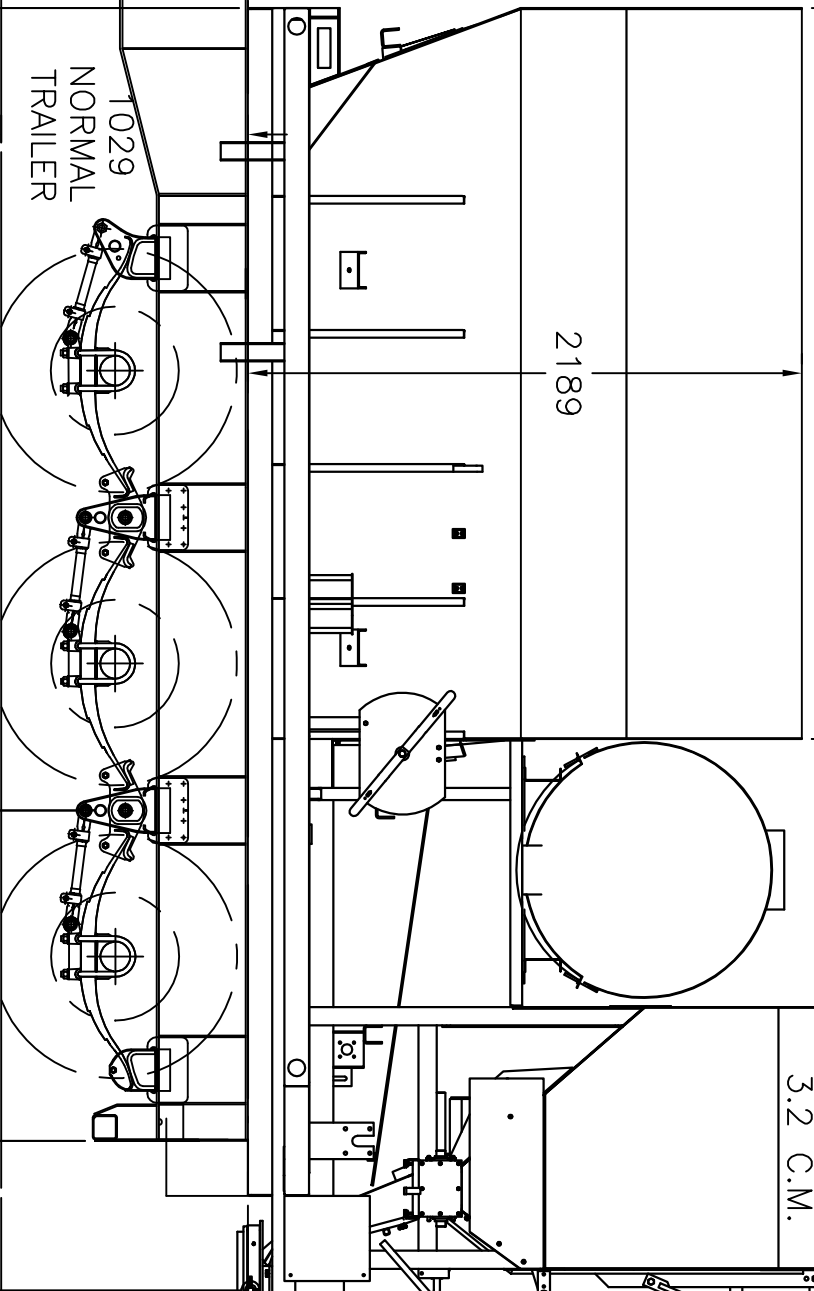
410 MIXER SHOWN, USE 411  
DRAWINGS TO REFERENCE  
MODEL REQUIRED BIN HEIGHTS  
AND VOLUMES

MANUAL CHUTES  
=241.3  
S.P. PWR CHTS  
=431.8  
H.P. PWR CHTS  
=355.6  
S.P. SWL CHTS  
=254  
H.P. SWL CHTS  
=330.2

PONY ENGINE AND/OR WATER TANK  
MAY BE LOCATED ON FRONT DECK  
FOR WEIGHT DISTRIBUTION.

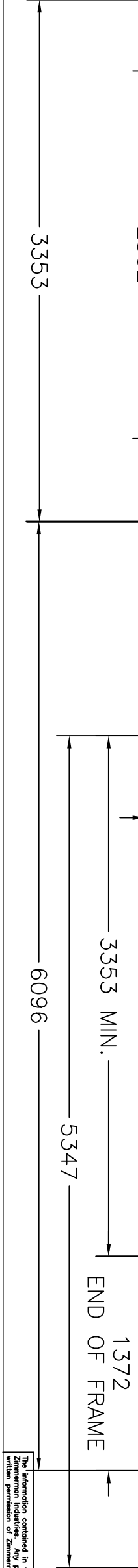


1029  
NORMAL  
TRAILER



584.2  
TOP OF  
CHASSIS FRAME

ALL DIMENSIONS  
IN MILLIMETERS  
VMMB BIN VOLUME  
10.6 CU. M.



1372  
END OF FRAME

|  |                          |
|--|--------------------------|
| ZIMMERMAN INDUSTRIES INC.<br>EPHRATA, PA. - 717-733-6166 |                          |
| 410-411 HEAVY TRAILER                                    |                          |
| TOLERANCES<br>UNLESS<br>NOTED                            | 8.4 CU. M. CONFIGURATION |
| FINISHES<br>± .001"                                      | SCALE: 1/16" = 1"        |
| DRAWN BY: TJM  | CHECKED BY: [ ]          |
| DATE: 13 MAY 04  | DRAWING NO.: 410M1-M     |

The information contained in this drawing is the sole property of Zimmerman Industries. Any production in part or whole without written permission of Zimmerman Industries is prohibited.